

Picture It: Multiplying by and with Ease



Picture It! Mutliply by 6 and 7 with Ease by Doris Baker

★★★★☆ 4.4 out of 5

Language : English

File size : 1311 KB

Text-to-Speech : Enabled

Enhanced typesetting : Enabled

Print length : 62 pages

Lending : Enabled

Screen Reader : Supported



Multiplication is a fundamental operation in mathematics, and it can be tricky to master. But with the help of visual aids, like pictures, you can make multiplication much easier to understand. In this article, we'll explore different ways to use pictures to multiply by and with ease. Whether you're a student struggling with multiplication or a teacher looking for new ways to teach it, this article has something for you.

Using Pictures to Multiply by a Number

One of the simplest ways to use pictures to multiply is to use them to multiply by a number. For example, let's say you want to multiply 3 by 4. You can draw a picture of 3 groups of 4 objects, like apples or oranges.



Each group of 4 objects represents one of the 3 factors in the multiplication problem. The total number of objects in the picture represents the product of the multiplication problem.

You can use this same method to multiply any number by any other number. Just draw a picture of the first number of groups of the second number of objects.

Using Pictures to Multiply with a Fraction


You can also use pictures to multiply with a fraction. For example, let's say you want to multiply 3 by $\frac{1}{2}$. You can draw a picture of 3 objects, and then


divide each object into 2 equal parts.


Fractions


Identifying if HALF or QUARTER

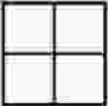
- Circle if HALF or QUARTER
- HALF (divided equally into 2 parts)
- QUARTER (divided equally into 4 parts)


1  Half/Quarter


2  Half/Quarter

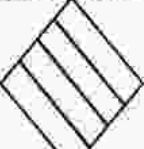
3  Half/Quarter


4  Half/Quarter


5  Half/Quarter

6  Half/Quarter

7  Half/Quarter

8  Half/Quarter

9  Half/Quarter

10  Half/Quarter


Each part of each object represents one of the 6 factors in the multiplication problem. The total number of parts in the picture represents the product of the multiplication problem.

You can use this same method to multiply any number by any fraction. Just draw a picture of the first number of objects, and then divide each object

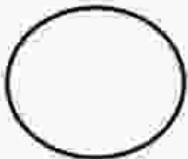




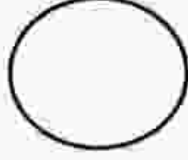
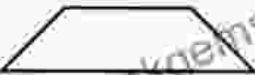

into the denominator of the fraction. Then, count the number of parts in the picture to find the product.

Using Pictures to Multiply with a Mixed Number

You can also use pictures to multiply with a mixed number. For example, let's say you want to multiply 3 by $1\frac{1}{2}$. You can draw a picture of 3 objects, and then divide each object into 2 equal parts.

 **Dividing shapes into equal parts**
Grade 1 Fractions Worksheet

Divide each shape into the number of equal parts shown.
Remember, all parts must be identical!

 halves (2 parts)	 thirds (3 parts)
 quarters (4 parts)	 quarters (4 parts)
 halves (2 parts)	 eighths (8 parts)
 halves (2 parts)	 fifths (5 parts)

Reading and Math for K-5 © www.k5learning.com

The whole part of the mixed number represents the number of whole objects in the picture. The fractional part of the mixed number represents the number of parts of each object that are shaded in.

To multiply with a mixed number, you can use the following steps:

1. Draw a picture of the first number of objects.
2. Divide each object into the denominator of the fractional part of the mixed number.
3. Shade in the number of parts of each object that are represented by the numerator of the fractional part of the mixed number.
4. Count the number of parts in the picture to find the product.

Pictures are a powerful tool that can be used to make multiplication easier to understand. By using pictures to represent the factors and products of multiplication problems, you can make the process more visual and concrete. This can help students to develop a deeper understanding of multiplication, and it can also make it easier for them to solve multiplication problems.

If you're struggling with multiplication, or if you're looking for new ways to teach it, I encourage you to give pictures a try. You may be surprised at how much they can help.

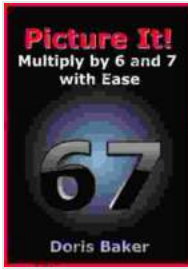
Picture It! Mutliply by 6 and 7 with Ease by Doris Baker

★★★★☆ 4.4 out of 5

Language : English

File size : 1311 KB

Text-to-Speech : Enabled



Enhanced typesetting : Enabled
Print length : 62 pages
Lending : Enabled
Screen Reader : Supported



Ceoe Test Practice Questions Exam Review For The Certification Examinations For

The Ceoe exam is a certification exam for the Certified Energy Optimization Engineer (Ceoe) credential. The Ceoe credential is offered by the Association of Energy...



Spot the Difference Mazes, Math Mazes, Word Puzzles, and Find the Shadow Matching: A Journey of Cognitive Development

Puzzle-solving activities have become integral to education and entertainment, captivating individuals of all ages. Among the numerous puzzle types, Spot the...